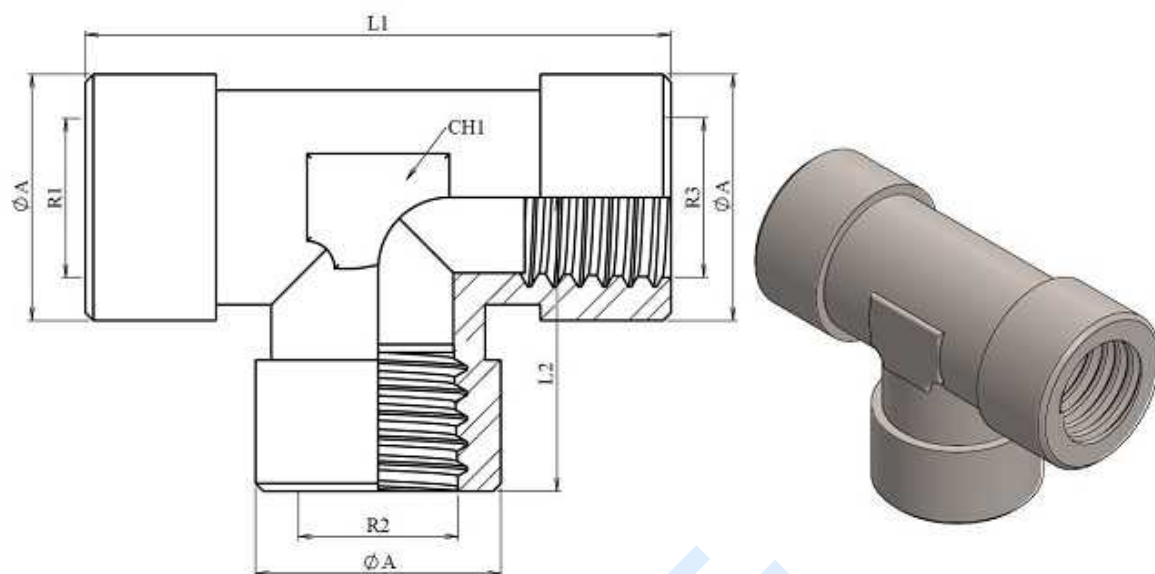


Adaptadores NPT

Tes en forja

Tes hembra fija-hembra fija-hembra fija NPT

Acero Inoxidable AISI 316-L



| Artículo | R1 | R2 | R3 | L1 | L2 | CH1 | ØA |
|-----------------|----------|----------|----------|-------|-------|-----|------|
| ZN122602 | 1/8" NPT | 1/8" NPT | 1/8" NPT | 33,5 | 16,5 | 14 | 14 |
| ZN122604 | 1/4" NPT | 1/4" NPT | 1/4" NPT | 57 | 28,5 | 19 | 22 |
| ZN122606 | 3/8" NPT | 3/8" NPT | 3/8" NPT | 70 | 35 | 24 | 25 |
| ZN122608 | 1/2" NPT | 1/2" NPT | 1/2" NPT | 74 | 31,5 | 24 | 27 |
| ZN122612 | 3/4" NPT | 3/4" NPT | 3/4" NPT | 87 | 43,5 | 28 | 34 |
| ZN122616 | 1" NPT | 1" NPT | 1" NPT | 101,5 | 50,75 | 36 | 42,5 |